



(Typical only - some details may vary.)

## APPLICATION

The Hausted<sup>®</sup> Video-Imaging Chair features a specially designed backrest which accommodates the space confinements of large imaging equipment while providing maximum patient comfort and safety.

## DESCRIPTION

The radiolucent backrest provides a clear, unobstructed site for imaging. The chair is designed specifically for Modified Barium Swallow Studies.

This unit adjusts easily from sitting to supine and provides a stable work

surface during patient treatment. Preinduction, transport, and recovery can be performed on the same unit as treatment when the back section attachment is used; this can help to improve case turnaround and streamline patient handling in surgical care.

## STANDARDS

The chair meets the applicable requirements of the following standards:

**CSA C22.2 No. 601.1-M90**  
**EN60601-1:1990+A2:1995**  
**Medical Device Directive 93/42/EEC**  
**UL2601-1 2nd Ed.**

## DESIGN FEATURES

The four-wheel **brake and steer system** with 5" (127-mm) Tente brand casters has three modes of operation: steer, neutral, and brake. Brake and steer levers for this system are accessible on patient's left side of base.

The **hydraulic positioning and adjustment system** features hands-free foot pedals located at both sides of the chair base for controlling height adjustment.

A control lever, located on the back of the chair, operates recline and Trendelenburg positioning. The backrest and leg section can be operated simultaneously, or independently.

The **stainless-steel base cover** is seamless and easy to clean.

The **adjustable patient surface** is provided in a heavy-duty powder coated finish. The **fully adjustable backrest** provides both adjustable backrest and leg sections. The pneumatically assisted recline is easy to operate from both sides of the unit.

Backrest is capable of 0°-90° adjustment, as well as 10° Trendelenburg.

The **optional back section attachment** easily attaches/detaches to the back section for patient transport or recovery.

**Padded armrests and side rails** are designed with conveniently accessible release levers and can be tucked away for full access to patient.

The easy-to-operate, rotating **seat** section saves time in repositioning the patient for anterior/posterior and lateral imaging views.

The chair's **independent leg section** is attached to a height-adjustable **fold-down foot rest**.

## The Selections Checked Below Apply To This Equipment

### MODEL

VIC 429 ST

### ACCESSORIES (optional)

- Pediatric positioner
- Oxygen tank holder
- Armboard with pad

Item \_\_\_\_\_

Location(s) \_\_\_\_\_

\_\_\_\_\_

## **MATERIAL SPECIFICATIONS**

---

### **Base Frame**

1-1/4" (32mm), 15-gauge square, high-strength/low-alloy tubing, powder-coated finish. Base cover is stainless steel.

### **Column**

Bellows-covered carbon steel.

### **Top Frame**

1" (25mm) diameter, 16-gauge carbon steel tubing on head and foot; the seat is 1" (25mm) diameter, 11-gauge carbon steel tubing; top is powder coated with an epoxy finish.

### **Side Rails**

Carbon steel, powder-coated with an epoxy finish.

### **Cushion Pads**

High-density polyurethane foam covered with a soft vinyl comfort fabric.

## **STANDARD ACCESSORIES**

---

- Restraint/safety straps
- Dorsocervical pillow
- VIC back extension
- Removable IV rod

## **PREVENTIVE MAINTENANCE**

---

A global network of skilled service specialists can provide periodic inspections and adjustments to assure low-cost peak performance. Hausted representatives can provide information regarding Annual Maintenance Agreements.

## **MAXIMUM WEIGHT CAPACITY**

---

325 lb (147 kg)

## **CHAIR DIMENSIONS**

---

### **Chair Weight**

160 lbs (73 kg)

### **Shipping Weight**

225 lbs (102 kg)

### **Height**

Minimum: 58-1/2" (1,486 mm)

Maximum: 66-1/2" (1,689 mm)

### **Overall Width**

27" (686 mm)

### **Overall Length**

Chair position: 41-1/2" (1,054 mm)

Bed position: 76-1/2" (1,943 mm)

### **Shipping Dimensions (W x H x D)**

31 x 44 x 66"

(787 x 1,117 x 1,676 mm)

### **Patient Surface Dimensions**

22 x 70.5"

(559 x 1791 mm)

### **Trendelenburgs**

10°

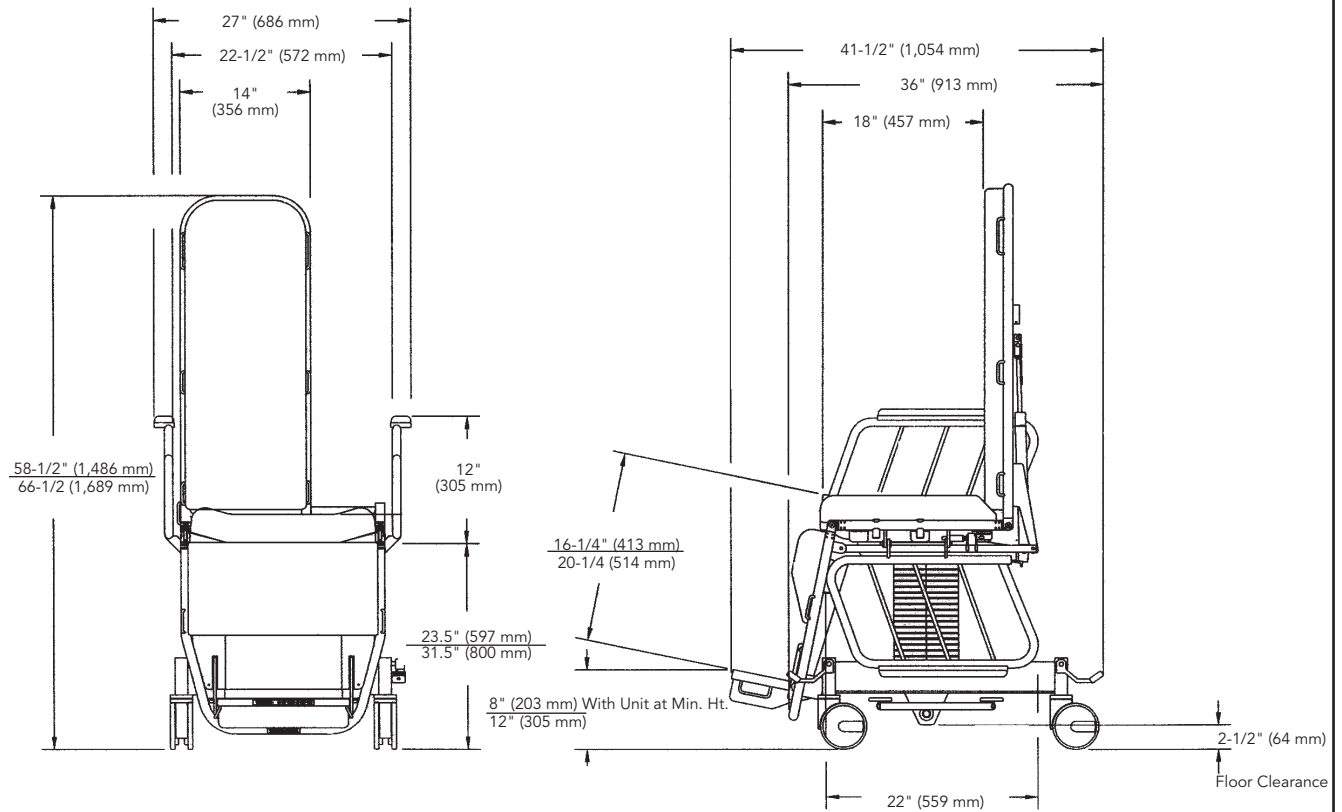
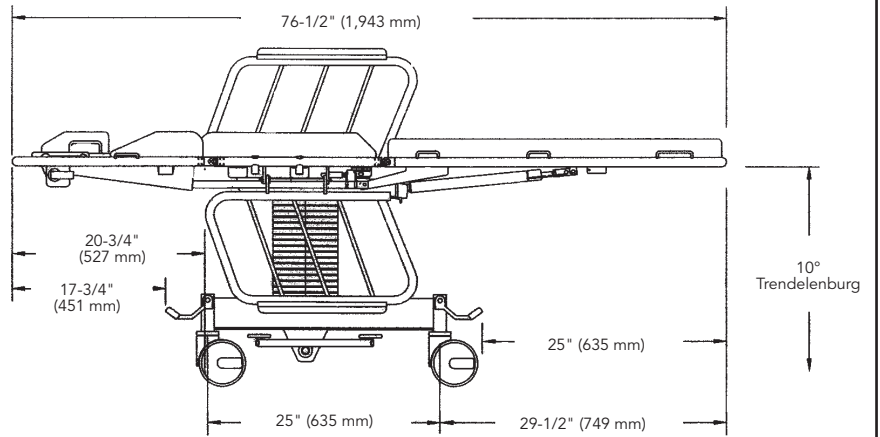
### **Side Rails**

12 x 22" (305 x 559 mm)

**Hausted® Video-Imaging Chair**

**NOTE:**

All dimensions are in inches (millimeters), all dimensions are for reference only.



**NOTE:**

Because of Hausted's continuing program of research and development, all specifications and descriptions are subject to change without notice. Obtain approved drawings for design, and installation.

---

For further information, please contact:

**HAUSTED**<sup>®</sup>

PATIENT HANDLING SYSTEMS, LLC

334.215.5151 **Main**  
877.706.5151 **Toll Free**  
334.215.5150 **Fax**

2511 Midpark Drive  
Montgomery, AL 36109

[www.hausted.com](http://www.hausted.com)

**Hausted<sup>®</sup> offices provide support throughout the world:**

Canada	800 661 3937
Germany	49 2233 6999 400
Hong Kong	852 2 563 3623
Italy	39 0141 590429
Japan	81 78 252 1901
Korea	82 2 554 1661
Latin America	305 442 8202
Singapore	65 841 7677
Spain	34 91 658 5920
United Kingdom	44 1 608 811 822

This data is intended for the exclusive use of Hausted<sup>®</sup> Customers, including architects or designers. Reproduction in whole or in part by others is prohibited.

SD-705 ©2010, HAUSTED<sup>®</sup> Patient Handling Systems All rights reserved. MC (6/12/10)