



(Typical only - some details may vary.)

**APPLICATION**

The Hausted® All Purpose Chair (APC) is a multi-position chair and stretcher intended for intra- and inter-departmental transport of patients within a health care facility. The APC can be positioned to allow for patient treatment, transport or recovery.

**DESCRIPTION**

Hausted all purpose chairs are an easily adjustable patient transport and treatment device. The chair's backrest can be positioned from sitting to supine and provides a stable working surface during patient treatment. Height positioning is hydraulically controlled using floor-level pedals; backrest and leg section adjustment is achieved with release levers at the rear of the patient backrest and at the foot of the unit. Four easy-rolling, steerable casters allow for maximum mobility and maneuverability.

**STANDARDS**

The APC meets the applicable requirements of the following standards:

- CSA C22.2 No. 601.1-M90**
- EN60601-1:1990+A2:1995**
- Medical Device Directive 93/42/EEC**
- UL2601-1 2nd Ed.**

**DESIGN FEATURES**

The **brake and steer system** with 5" (127mm) casters has three modes of operation: steer, neutral, and brake. Brake and steer levers for this system are accessible at both rear corners of the chair's base.

The **hydraulic positioning and adjustment system** features hands-free foot pedals located at both sides of the chair's base for controlling height adjustment.

A control lever, located on either side of the chair, operates recline and Trendelenburg positioning. The backrest and leg section can be operated simultaneously or independently (excluding APC-150).

The **thermoformed base cover** is seamless and easy to clean.

The **adjustable patient surface** is provided in a heavy-duty powder coated finish and with 3" (76mm) thick comfort cushions. A pneumatically assisted patient backrest allows positioning adjustment between 0-80°.

**The Selections Checked Below Apply To This Equipment**

**MODELS:**

- APC-150ST** Simultaneous leg section/backrest operation
- APC-250ST** Simultaneous or independent leg section/backrest operation

Item \_\_\_\_\_

Location(s) \_\_\_\_\_

\_\_\_\_\_



Floor-level Foot Pedal Controls

**Fully adjustable backrest (with lumbar support) and leg section.** Backrest is capable of adjustment from 80° upright position to supine position, including 9° Trendelenburg.

**Leg section and backrest control:**

- **APC-150**  
leg section and backrest operate simultaneously only.
- **APC-250**  
leg section and backrest operate simultaneously or independently.
- **Footrest** folds out for upright use, or folds flush when chair is used in supine and Trendelenburg positions.

**Padded armrests and patient protecting rails** are designed with conveniently accessible release levers and can be tucked away for full access to patient.

## **MATERIAL SPECIFICATIONS**

---

**Base Frame**

1-1/4" (32 mm), 15-gauge square, high-strength/low-alloy tubing, powder-coated finish. Base cover is Thermoformed ABS plastic.

**Columns**

Bellows-covered carbon steel.

**Top Frame**

1" (25 mm) diameter, 16-gauge carbon steel tubing on head and foot, the seat is 1" (25 mm) diameter, 11-gauge carbon steel tubing. Top is powder coated with an epoxy finish.

**Side Rails**

Carbon steel, powder coated with an epoxy.

**Cushion Pads**

High density polyurethane foam covered with a soft vinyl comfort fabric.

## STANDARD FEATURES

- Caster diameter - 5" (127 mm)
- Fold-down foot rest (height adjustable)
- Padded armrest:
  - Height - 12" (305 mm)
  - Length - 29" (737 mm)
- Polymer-coated support surface
- Four universal accessory wells
- Floor level foot pedals for height adjustment
- Backrest and Trendelenburg release levers

- Degree of movement:
  - Backrest - 0-80°
  - Trendelenburg - 10°
- 3" (76 mm) comfort cushions
- Built-in chart holder
- Built-in push bar
- O2 Tank holder

## STANDARD ACCESSORIES

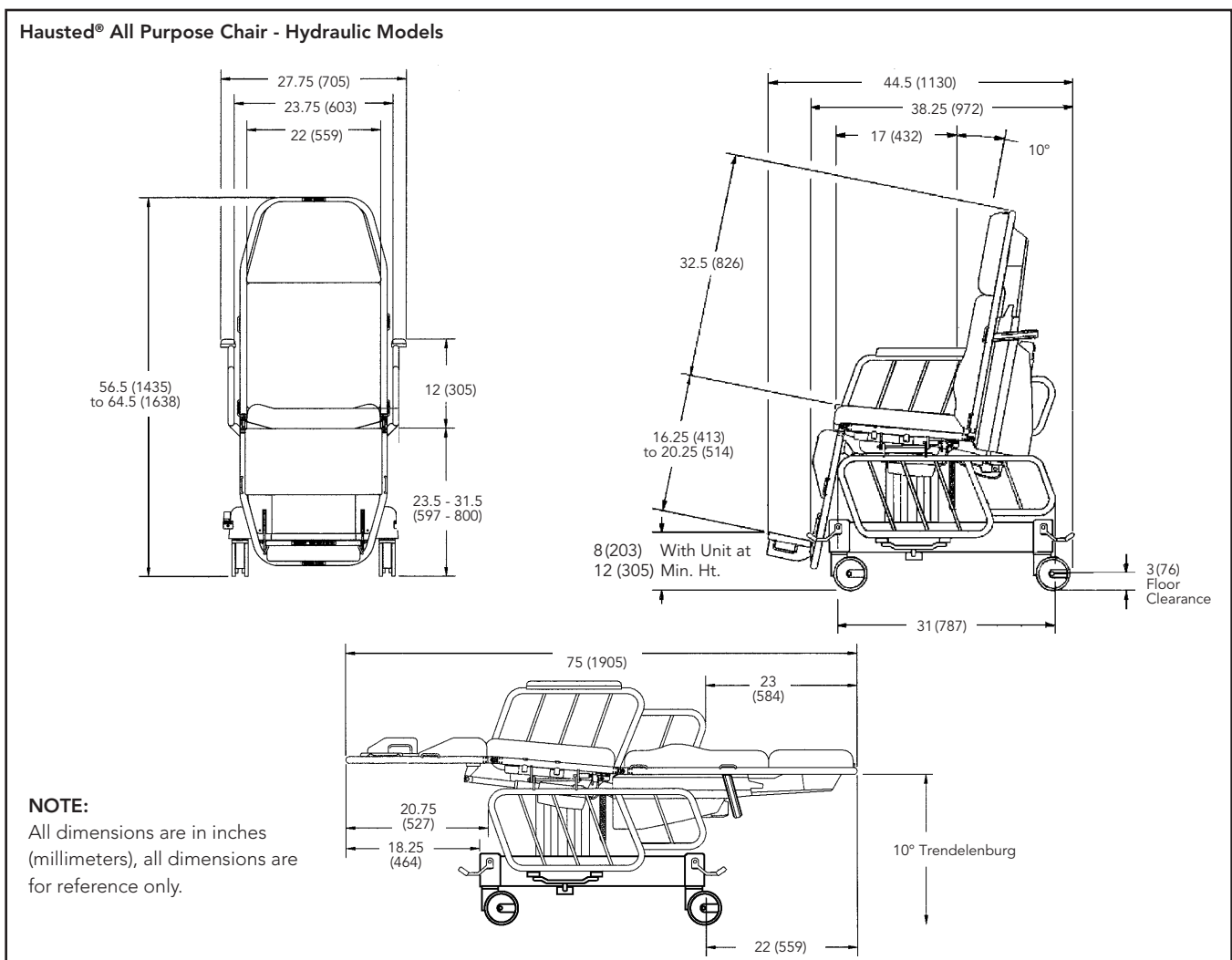
- Restraint/safety straps
- Oxygen tank holder
- Removable IV rod

## GENERAL SPECIFICATIONS

- Height range:
  - High - 31.5" (800 mm)
  - Low - 23.5" (597 mm)
- Width:
  - Overall - 27.75" (705 mm)
  - Patient surface - 22" (559 mm)
- Length:
  - Overall - 75" (1905 mm)
  - Patient surface - 70.5" (1791 mm)

## MAXIMUM WEIGHT CAPACITY

325lb (147 kg)



**NOTE:**

Because of Hausted's continuing program of research and development, all specifications and descriptions are subject to change without notice. Obtain approved drawings for design, and installation.

---

For further information, please contact:

**Hausted**<sup>®</sup>

334.215.5151 **Main**  
877.706.5151 **Toll Free**  
334.215.5150 **Fax**

2511 Midpark Drive  
Montgomery, AL 36109

[www.hausted.com](http://www.hausted.com)

This data is intended for the exclusive use of Hausted<sup>®</sup> Customers, including architects or designers. Reproduction in whole or in part by others is prohibited.

SD-666 ©2010, HAUSTED<sup>®</sup> Patient Handling Systems All rights reserved. HH (7/24/12)