



462 Horizon Stretcher with AirGlide Rails
(Typical only - some details may vary.)



462 Horizon Stretcher with Retracto Rails
(Typical only - some details may vary.)

APPLICATION

The Hausted Horizon Series Multi-purpose Stretcher is intended for transport, treatment and recovery of patients intra- and inter-departmentally in healthcare facilities.

DESCRIPTION

The Hausted Horizon stretcher is a multi-function stretcher which can perform a wide range of duties in any department, while providing patient comfort and mobility. The dual pedestal design provides maximum stability for patient transport, treatment and recovery. To assure patient comfort, the patient

surface can be adjusted through a variable range of positions to include stretcher height adjustment, backrest adjustment, and (optional) knee flex capability. Easy-rolling casters provide full mobility and maneuverability.

STANDARDS

The stretcher meets the applicable requirements of the following standards:

- CSA C22.2 No. 601.1-M90**
- EN60601-1:1990+A2:1995**
- CE Marked to the Medical Device Directive 93/42/EEC**
- UL2601-1 2nd Ed.**

DESIGN FEATURES

Central (462) and corner (461) brake and steer system with 8" (203mm) casters has three modes of operation: steer, neutral, and brake. Brake and steer levers for this system are accessible at all four corners of the stretcher base for the 462 model series.

The **hydraulic positioning and adjustment system** features hands-free foot pedals located at both sides of the stretcher base. Pedals control height adjustment as well as 16° Trendelenburg or reverse Trendelenburg positioning. Additional pedals placed at the foot end are available.

The Selections Checked Below Apply To This Equipment

FOOT PEDAL POSITION

- 461** – Two Position Brake and Steer Dual Side Hydraulics, Seamless, Thermoformed Base Cover (built-in oxygen tank holder, and storage area for patient belongings)
- 462** – Four Position Brake and Steer Dual Side Hydraulics, Seamless, Thermoformed Base Cover (built-in oxygen tank holder, and storage area for patient belongings)

TOP SIZE AND FINISH – RETRACTO RAILS

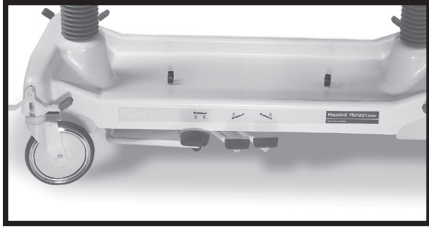
- EMC-ST** – Regular Width, Powder-Coated Steel Finish
Patient Surface: 25 x 76" (635 x 1930mm);
Overall: 30 x 83" (762 x 2108mm)
- FMC-ST** – Extra Wide, Powder-Coated Steel Finish Patient Surface: 30 x 76" (762 x 1930mm); Overall: 34-1/2 x 83" (876 x 2108mm)
- GMC-ST** – Regular Width, Powder-Coated Steel Finish, Knee Flex Option
Patient Surface: 25 x 76" (635 x 1930mm);
Overall: 30 x 83" (762 x 2108mm)
- HMC-ST** – Extra Wide, Powder-Coated Steel Finish, Knee Flex Option
Patient Surface: 30 x 76" (762 x 1930mm);
Overall: 34-1/2 x 83" (876 x 2108mm)

TOP SIZE AND FINISH – AIRGLIDE SIDE RAIL

- APA-ST** – Regular Width, Powder-Coated Steel Finish
Patient Surface: 28 x 76" (711 x 1930mm);
Overall: 31-1/2 x 83" (800 x 2108mm)
- CPA-ST** – Regular Width, Powder-Coated Steel Finish, Knee Flex Option
Patient Surface: 28 x 76" (711 x 1930mm);
Overall: 31-1/2 x 83" (800 x 2108mm)
- DPA-ST** – Extra Wide, Powder-Coated Steel Finish, Knee Flex Option
Patient Surface: 32 x 77" (813 x 1956mm);
Overall: 34 x 82" (864 x 2083mm)

Item _____

Location(s) _____



Floor Level Hydraulic Foot Pedals

The **thermoformed base cover** is seamless and easy to clean. Base design includes a built-in oxygen tank holder and storage area for patient belongings.

Dual pedestal base construction ensures patient stability.

The **adjustable patient surface** is provided in a powder-coated finish. A pneumatically assisted, cable-free fowler allows for patient backrest positioning adjustment between 0-90°. Patient top can also be equipped with an optional 0-70° knee flex capability. Patient mattress pads can be ordered separately in a variety of thicknesses.

Heavy duty **non-marking corner bumper system** protects walls from being marred.

Dual accessory wells at all four corners provide versatility in adapting accessories.

Side rails can be ordered in one of two styles:

- **AirGlide rails** provide maximum patient security with full length patient coverage. Two release levers, located at head and foot end of stretcher, release rail to tuck under the stretcher top. Standard AirGlide stretcher patient surface is 28" (711 mm) wide, but an extra-wide 32" (813 mm) patient surface is also available.

- The **retracto rail** patient protecting rails offer three positions:
 - full height for maximum patient security;
 - mid-position to provide patient access while maintaining patient security; and
 - fully lowered for patient transfer.

Standard retracto rail stretcher patient surface is 25" (635 mm) wide, but an extra-wide 30" (762 mm) patient surface is also available.

MATERIAL SPECIFICATIONS

Base Frame

Made from 1" (25 mm), 12-gauge, square, polymer coated high-strength tubing. Base cover is thermoformed acrylonitrile butadiene styrene (ABS) plastic.

Top Frame for APA, CPA and DPA Models

Made from 1-1/4" (32 mm), 16-gauge, polymer coated with a polyester epoxy, carbon-steel tubing. Patient surface is powder-coated.

Top Frame for EMC, FMC, GMC and HMC Models

Made from 1-1/4 x 1/2" (32 x 13 mm), 14-gauge, polymer coated with a polyester epoxy, carbon-steel channel. Patient surface is powder-coated.

AirGlide Rails

Made from 7/8" (22 mm) diameter, 16-gauge, chrome-plated carbon steel.

Retracto Rails

Made from 3/4" (19 mm) diameter, 16-gauge, stainless steel. Top section is made from extruded and injection molded poly vinyl chloride (PVC).

Mattress Pads

High-density urethane foam covered with a latex-free vinyl fabric.

The base language of this document is ENGLISH. Any translations must be made from the base language document.

STANDARD FEATURES

- Casters: 8" Tente (203 mm)
- Brake/steer levers: four; one at each corner (462 model); two - one at two corners (461 model)
- Hydraulic controls: foot pedals on both sides, or both sides and foot end
- Corner steering (461 only)
- Center track steering (462 only)
- Head mounted IV pole (462 only)
- IV and accessory wells: one IV and one accessory well at each corner
- Pneumatic-assist, cable-free backrest, 0-90°
- Buckle restraint strap (462 only)
- Minimum height: 22" (559 mm)
- Maximum height: 34-3/4" (883 mm)
- Trendelenburgs: 16°

MAXIMUM WEIGHT CAPACITY

500 lb (227 kg)

AIRGLIDE RAIL TOPS

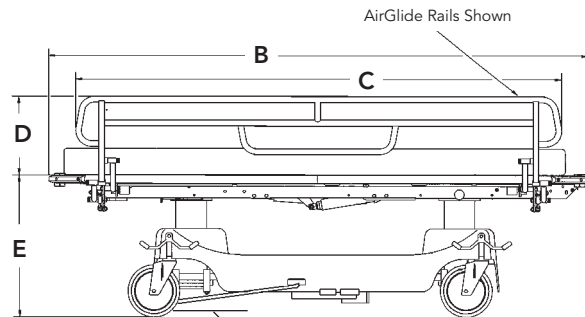
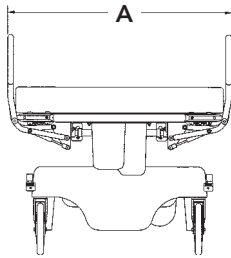
- Patient surface dimensions (regular): 28 x 76" (711 x 1930 mm)
- Patient surface dimensions (extra wide): 32 x 77" (813 x 1956 mm)
- Overall width (regular/extra wide): 31-1/2 / 34-3/4" (800 / 883 mm)
- Overall length: 84" (2134 mm)
- Side rails: 15 x 77" (381 x 1956 mm)
- 0-70° knee flex: optional

RETRACTO RAIL TOPS

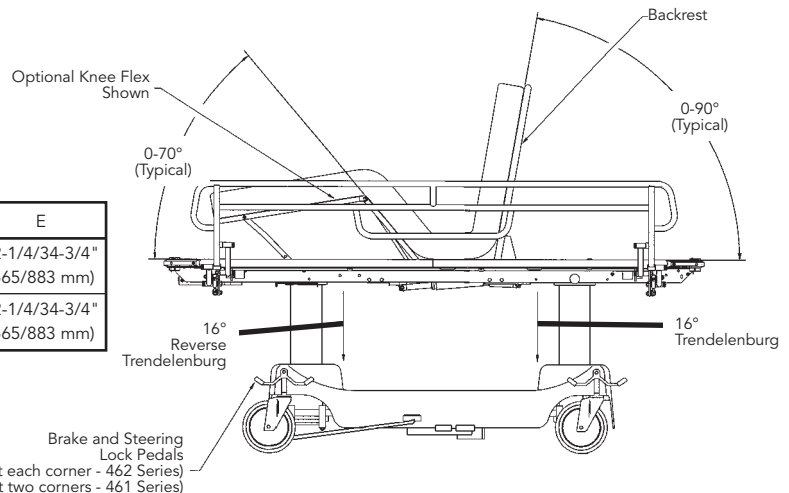
- Patient surface dimensions (regular): 25 x 76" (635 x 1930 mm)
- Patient surface dimensions (extra wide): 30 x 76" (762 x 1930 mm)
- Overall width (regular/extra wide): 29-1/2 / 34-1/2" (749 / 876 mm)
- Overall length: 80-1/4" (2038 mm)
- Side rails 15-1/4 x 60" (387 x 1524 mm)
- 0-70° knee flex: optional

Dimensions shown here are typical, and subject to change without notice. REFER TO HAUSTED® EQUIPMENT DRAWINGS FOR COMPLETE AND DETAILED INSTALLATION SPECIFICATIONS.

Hausted® Horizon Multi-Purpose Stretchers—Hydraulic Models (with AirGlide Rails)



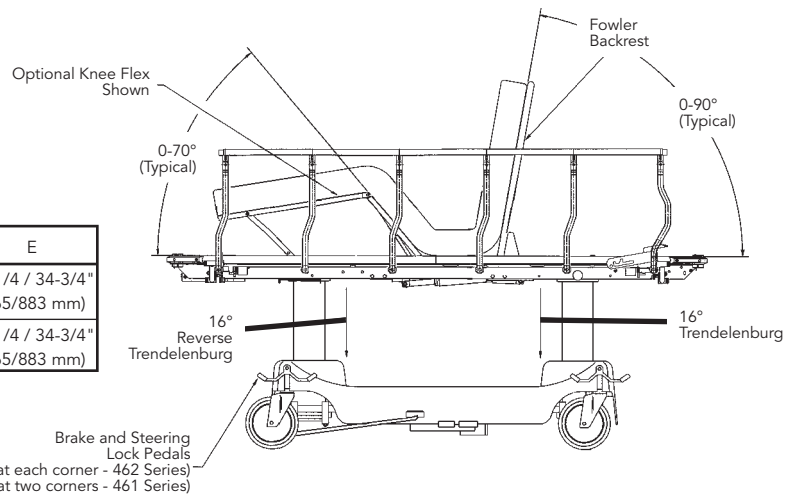
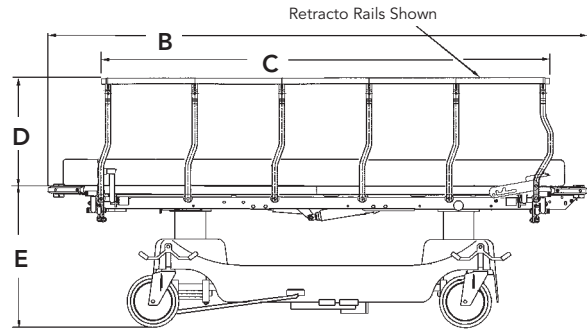
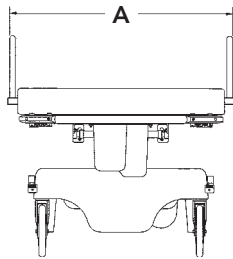
1-1/2" (38 mm) Clearance with the POWERTRAN Option



	A	B	C	D	E
AirGlide Rails Regular Top	31.5" (800 mm)	83" (2108 mm)	76" (1930 mm)	15" (381 mm)	22-1/4/34-3/4" (565/883 mm)
AirGlide Rails Extra-Wide Top	35" (889 mm)	83" (2108 mm)	76" (1930 mm)	15" (381 mm)	22-1/4/34-3/4" (565/883 mm)

Dimensions shown here are typical, and subject to change without notice.
**REFER TO HAUSTED® EQUIPMENT DRAWINGS FOR
 COMPLETE AND DETAILED INSTALLATION SPECIFICATIONS.**

Hausted® Horizon Multi-Purpose Stretchers –
 Hydraulic Models (with Retracto Rails)



	A	B	C	D	E
Retracto Rails Regular Top	30" (762 mm)	83" (2108 mm)	77" (1956 mm)	15-1/4" (387 mm)	22-1/4 / 34-3/4" (565/883 mm)
Retracto Rails Extra-Wide Top	34-1/2" (876 mm)	83" (2108 mm)	77" (1956 mm)	15-1/4" (387 mm)	22-1/4 / 34-3/4" (565/883 mm)

Brake and Steering
 Lock Pedals
 (at each corner - 462 Series)
 (at two corners - 461 Series)

For further information, please contact:

HAUSTED®

PATIENT HANDLING SYSTEMS, LLC

334.215.5151 **Main**
 877.706.5151 **Toll Free**
 334.215.5150 **Fax**

2511 Midpark Drive
 Montgomery, AL 36109

www.hausted.com

This data is intended for the exclusive use of Hausted® Customers, including architects or designers. Reproduction in whole or in part by others is prohibited.

SD-664 ©2010, HAUSTED® Patient Handling Systems All rights reserved. MC (6/12/10)