



(Typical only - some details may vary.)

APPLICATION

The Hausted[®] All Purpose Chair (APC) is a multi-position chair and stretcher intended for intra- and inter-departmental transport of patients within a health care facility. The APC can be positioned to allow for patient treatment, transport or recovery.

DESCRIPTION

Hausted all purpose chairs are an easily adjustable patient transport and treatment device. The chair's backrest can be positioned from sitting to supine, and provides a stable working surface during patient treatment. Height positioning, as well as backrest and leg section adjustment, is electric/battery powered and is activated with a hand held control. Four easy-rolling, steerable casters allow for maximum mobility and maneuverability.

STANDARDS

The all purpose chair meets the applicable requirements of the following standards:

- CSA C22.2 No. 601.1-M90**
- EMC Directive 89/336/EEC**
- EN60601-1**
- EN60601-1-2**
- Medical Device Directive 93/42/EEC**
- UL2601-1**

DESIGN FEATURES

The **brake and steer system** with 5" (127 mm) casters has three modes of operation: steer, neutral, and brake. Brake levers for this system are accessible at all four corners of the chair's base, and steer levers for this system are accessible at the rear corners of the chair's base.

The **electric/battery powered positioning and adjustment system** features a hand held control for use either by the patient or care provider. **Hand held control** allows height adjustment, backrest and leg section angle. Hand held control is placed in a storage bracket when not in use.



Backrest Release Lever

A manually controlled **emergency release lever** is provided to override electric/battery powered control of the backrest in emergency situations (electric/battery powered function resumes without reset).

The Selections Checked Below Apply To This Equipment

MODEL

- EPC-250-ST (120 Volt Model)
- EPD-250-ST (230 Volt Model)

Item _____

Location(s) _____



Hand Held Control

Electric/battery powered controls operate from any standard 120 VAC supply (a 230 Volt model is also available). A 24 VDC **integral backup battery** provides height adjustment and positioning for transport and emergency use.

The **thermoformed base cover** is seamless and easy to clean.

The **adjustable patient surface** is provided in a heavy-duty powder-coated finish, with 2.5" (63.5 mm) thick comfort cushions. Electric/battery powered functions, activated using a hand held control, allow patient surface positioning:

Chair is **height adjustable** between 22.25" (565 mm) and 30.5" (775 mm).

Fully adjustable backrest (with lumbar support) and leg section. Backrest is capable of adjustment from 80° upright position to supine position, including 6° Trendelenburg.

Footrest folds out for upright use, or folds flush when chair is used in supine and Trendelenburg positions.

Padded armrests are designed with conveniently accessible release levers and can be tucked away for full access to patient.

MATERIAL SPECIFICATIONS

Base Frame

1-1/4" (32 mm) - 15-gauge square, high-strength/low-alloy tubing, with nickel plated finish. Base cover is thermoformed ABS plastic.

Columns

Extruded aluminum.

Top Frame

Made from 1" (25 mm) diameter, 16-gauge carbon steel tubing on head and foot; seat is 1" (25 mm) diameter, 11-gauge carbon steel tubing. The top has a powder-coated finish.

Rails

Carbon steel construction with powder-coated finish for easy cleaning. Ergonomic rail design has built-in trip resistant release feature for added patient safety.



Mattress Pads

2.5" comfort pad; 2" urethane topped with 0.5" memory foam covered with a soft stretch comfort fabric.

STANDARD FEATURES

- Caster diameter: 5" (127 mm)
- Fold-down foot rest (height adjustable)
- Padded armrest:
 - Height - 12" (305 mm)
 - Length - 28.375" (721 mm)
- Powder-coated support surface
- Six universal accessory wells
- Removable I.V. rod
- 24 VDC backup battery operation
- Electric/battery powered hand held control
- Emergency backrest release lever
- Degree of movement:
 - Backrest - 0-80°
 - Trendelenburg - 6°
- 2.5" (64 mm) comfort cushions

- Built-in chart holder
- Built-in push bar
- Built-in drainage bag hook
- O2 Tank holder

GENERAL SPECIFICATIONS

- Height range:
 - High - 30.5" (768 mm)
 - Low - 22.25" (569 mm)
- Width:
 - Overall - 29.7" (755 mm)
 - Patient Surface - 22" (559 mm)
- Length:
 - Overall - 72.7" (1847 mm)
 - Patient Surface - 70.5" (1791 mm)

ELECTRICAL SPECIFICATIONS

• EPC250 Model

Input Voltage: 120 VAC, $\pm 5\%$, 60 Hz
 Amperage: Max. 3.5 A
 Duty Cycle: 10% 6 min. in 1 hr.

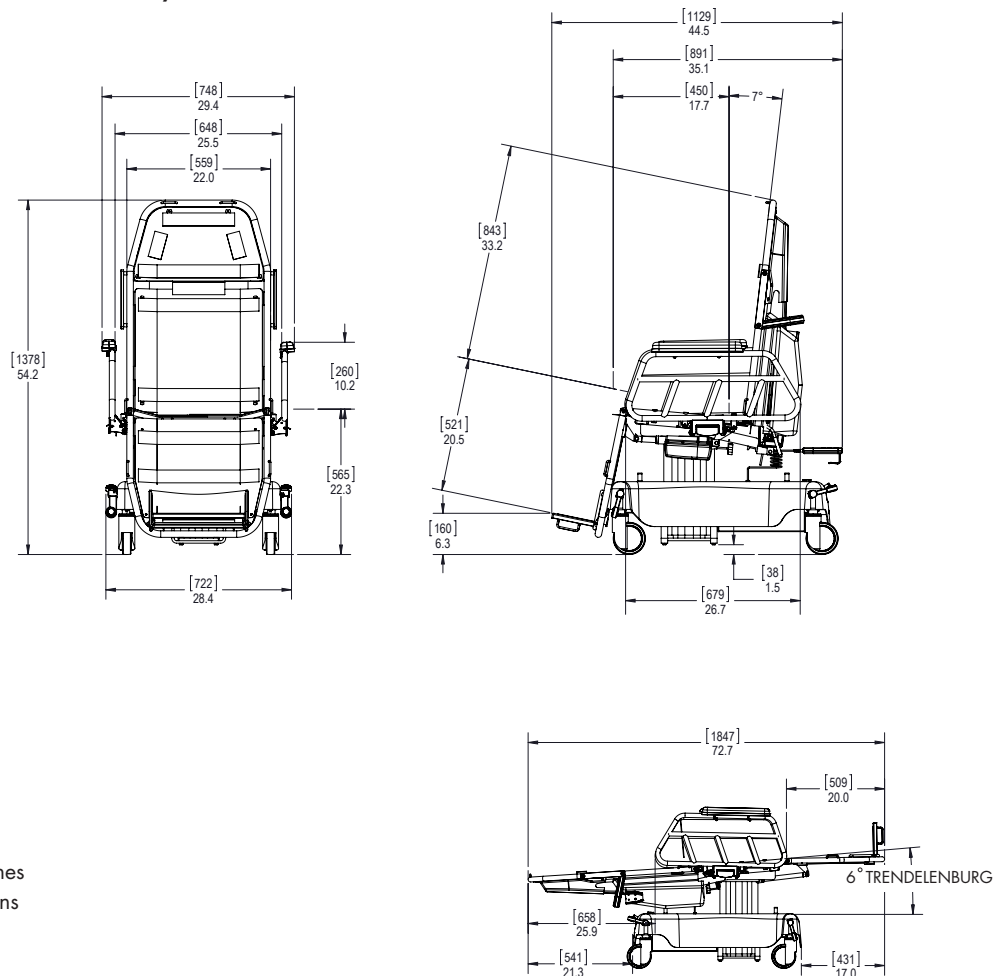
• EPD250 Model

Input Voltage: 230 VAC, $\pm 10\%$, 50 Hz
 Amperage: Max. 1.9 A
 Duty Cycle: 10% 6 min. in 1 hr.

MAXIMUM WEIGHT CAPACITY

325 lb (147kg)

Hausted® All Purpose Chair – Electric/battery Powered Models



NOTE:

All dimensions are in inches (millimeters), all dimensions are for reference only.

NOTE:

Because of Hausted's continuing program of research and development, all specifications and descriptions are subject to change without notice. Obtain approved drawings for design, and installation.

For further information, please contact:



334.215.5151 Main
877.706.5151 Toll Free
334.215.5150 Fax

2511 Midpark Drive
Montgomery, AL 36109

www.hausted.com

This data is intended for the exclusive use of Hausted® Customers, including architects or designers. Reproduction in whole or in part by others is prohibited.

SD-660 ©2010, HAUSTED® Patient Handling Systems All rights reserved. MC
(9/19/2012)